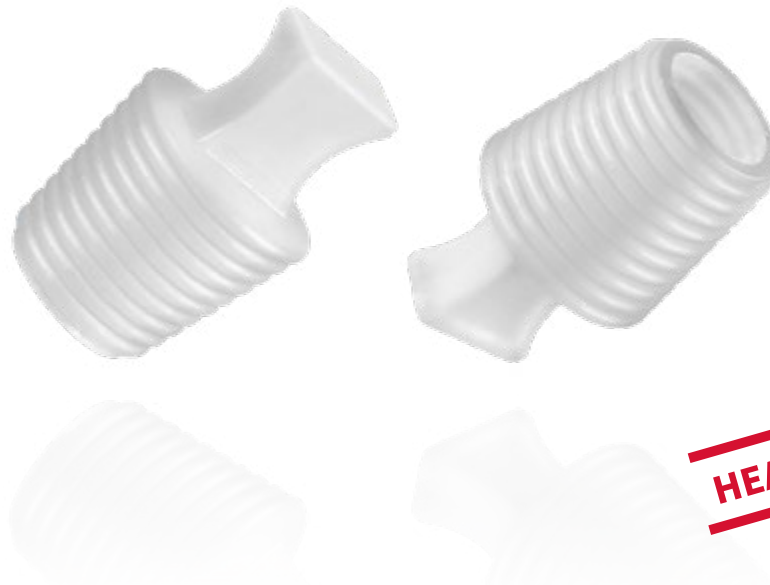


PROTEC PROSICON® EPS 200

High Temp Silicone Flangeless Plugs



YOUR PROSICON® PRODUCT ADVANTAGE. BEST PRICE PERFORMANCE IN THE MARKET.

HIGH TEMP SILICONE FLANGELESS PLUGS.

Flangeless Plugs have a tapered design and hollow core to allow a single plug to be used in both threaded or non-threaded holes of varying sizes.

Protect bore holes and internal threads without masking surrounding area.

Recommended for Powder coating, e-coating, plating & anodizing.

PREMIUM SILICONE MATERIAL PROPERTIES.

Prosicon® Silicone rubber 55 shore A withstands temperatures up to max. 316 ° C / 4 hours. On request also in EPDM material up to max. 177 ° C available.

PROSICON® BLU SIGNATURE® PRODUCT CODE.

Premium. Reusable. Stabilized with Special Blends.

COLOR OPTIONS.

Natural. Also available in colour coding.

TECHNICAL CLEANLINESS FOR ACCURATE MASKING.

Prosicon® Silicone Maskign Caps and Plugs are stabilized and tempered separately. This process improves dimensional stability and prevents plasticizer exudation during customer applications under high temperature conditions.

PREMIUM SILICONE MATERIAL PROPERTIES.

Prosicon® Silicone Maskign Caps and Plugs have an excellent resistance to high temperature, chemicals and acids and can be used several times without loss of quality

MATERIALS SELECTION GUIDE.

EPDM rubber, Neoprene, NBR rubber, SBR, TPE, ecc.

APPLICATION.

High Temperature Masking Caps and Plugs to protect your product during finishing processes like powder coating, KTL, Wet painting, anodizing, electroplating and e.coating treatments. Extremely temperature resistant up to 316° C, robust, versatile and time-saving in application.

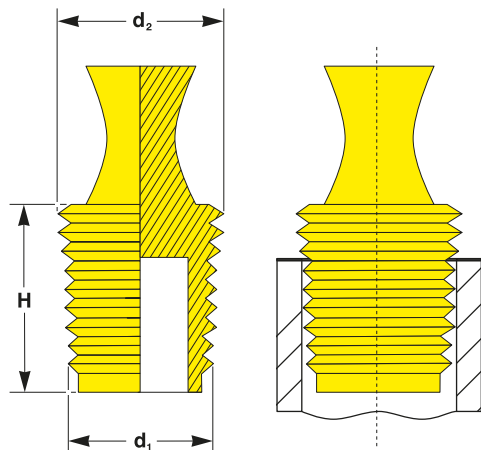
SILICONE / EPDM CUSTOM DESIGN AT RECORD SPEED.

We develop your individual parts that are not listed or alternative dimensional designs of this range that are tailored to your requirements.

- | | |
|--------------------|---|
| Customized. | For your special application |
| Time Saver. | Rapid Prototyping & Hi-Speed functional samples |
| Hi-Speed. | Fast Lane Serial Mold Construction |
| Unbeatable. | At the best price in the market |

PROTEC PROSICON® EPS 200

High Temp Silicone Flangeless Plugs



DIMENSIONS

All dimensions in mm

Dimensions			Shore A	Standard Pack	Reference No.
d ₁	d ₂	H			
2.01	3.99	19.05	50	500	EPS 200 / 0157-0079
3.99	5.99	25.40	80	250	EPS 200 / 0236-0157
4.78	10.54	25.40	70	1.000	EPS 200 / 0415-0188
5.99	8.00	25.40	80	250	EPS 200 / 0315-0236
7.95	10.31	25.40	75	250	EPS 200 / 0406-0313
8.00	10.01	25.40	80	250	EPS 200 / 0394-0315
10.01	11.99	25.40	75	250	EPS 200 / 0472-0394
10.31	11.89	25.40	75	250	EPS 200 / 0468-0406
10.54	16.28	25.40	70	500	EPS 200 / 0641-0415
11.89	14.27	25.40	75	250	EPS 200 / 0562-0468
11.99	14.00	25.40	75	250	EPS 200 / 0551-0472
14.00	16.00	25.40	75	250	EPS 200 / 0630-0551
14.27	15.88	25.40	75	250	EPS 200 / 0625-0562
15.88	18.24	25.40	75	250	EPS 200 / 0718-0625
16.00	18.01	25.40	75	250	EPS 200 / 0709-0630
16.28	22.05	25.40	70	100	EPS 200 / 0868-0641
18.01	19.99	25.40	70	100	EPS 200 / 0787-0709
18.24	19.05	25.40	70	250	EPS 200 / 0750-0718
19.05	22.23	25.40	70	100	EPS 200 / 0875-0750
19.99	22.50	25.40	70	100	EPS 200 / 0886-0787
22.05	27.79	25.40	70	100	EPS 200 / 1094-0868
22.23	25.40	25.40	65	100	EPS 200 / 1000-0875
22.50	24.00	25.40	70	100	EPS 200 / 0945-0886
24.00	26.01	25.40	65	100	EPS 200 / 1024-0945
25.40	28.58	25.40	65	100	EPS 200 / 1125-1000
26.01	27.99	25.40	65	100	EPS 200 / 1102-1024
27.79	33.53	25.40	70	100	EPS 200 / 1320-1094
28.58	31.75	25.40	65	100	EPS 200 / 1250-1125
33.53	39.29	25.40	70	100	EPS 200 / 1547-1320
39.29	45.06	25.40	70	100	EPS 200 / 1774-1547
45.06	50.80	25.40	70	100	EPS 200 / 2000-1774

Should your requirements not be shown please ask for a separate quotation.
 PROTEC products and specifications are subject to improvement and change without notice.