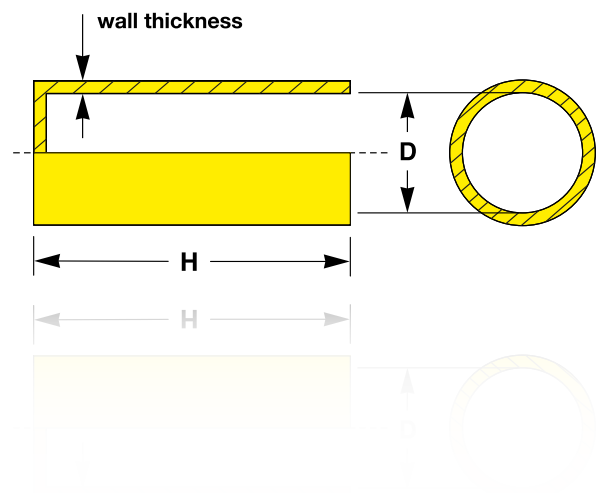
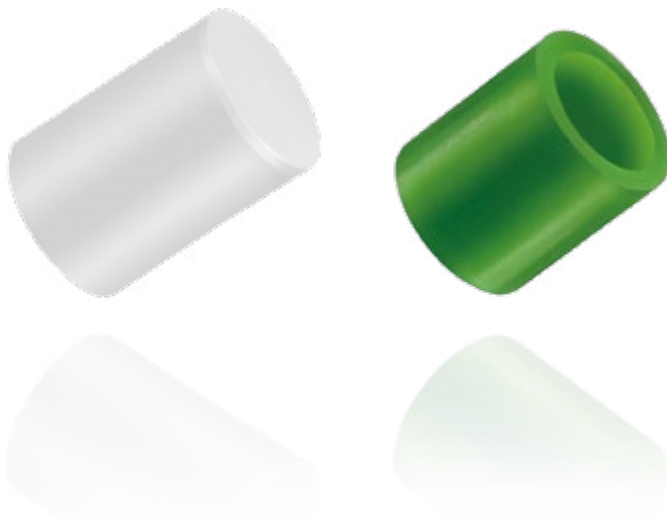


# PROTEC PROSICON® EPS 575

## High Temp Silicone Internal Ribs Caps – Flat



**YOUR PROSICON® PRODUCT ADVANTAGE. BEST PRICE PERFORMANCE IN THE MARKET.**

### HIGH TEMP SILICONE INTERNAL RIBS CAPS – FLAT:

Protective caps with internal ribs security. Round masking for pipe ends, axles, bolts, threads, tenons and parallel pins.

Recommended for Powder coating, e-coating, plating & anodizing.

### PREMIUM SILICONE MATERIAL PROPERTIES.

Prosicon® Silicone rubber 55 shore A withstands temperatures up to max. 316° C / 4 hours. On request also in EPDM material up to max. 177° C available.

### PROSICON® BLU SIGNATURE® PRODUCT CODE.

Premium. Reusable. Stabilized with Special Blends.

### COLOR OPTIONS.

Special color runs available on request.

### TECHNICAL CLEANLINESS FOR ACCURATE MASKING.

Prosicon® Silicone Maskign Caps and Plugs are stabilized and tempered separately. This process improves dimensional stability and prevents plasticizer exudation during customer applications under high temperature conditions.

### PREMIUM SILICONE MATERIAL PROPERTIES.

Prosicon® Silicone Maskign Caps and Plugs have an excellent resistance to high temperature, chemicals and acids and can be used several times without loss of quality.

**HEAT RESISTANT!**

### MATERIALS SELECTION GUIDE.

EPDM rubber, Neoprene, NBR rubber, SBR, TPE, ecc.

### APPLICATION.

High Temperature Masking Caps and Plugs to protect your product during finishing processes like powder coating, KTL, Wet painting, anodizing, electroplating and e.coating treatments. Extremely temperature resistant up to 316° C, robust, versatile and time-saving in application.

### SILICONE / EPDM CUSTOM DESIGN AT RECORD SPEED.

On request we develop and produce individually tailored solutions along with the standard items of this range: If you require additional dimensions, different materials and new colours. We would be pleased to assist you.

- Customized.** For your special application
- Time Saver.** Rapid Prototyping & Hi-Speed functional samples
- Hi-Speed.** Fast Lane Serial Mold Construction
- Unbeatable.** At the best price in the market

# PROTEC PROSICON® EPS 575

## High Temp Silicone Internal Ribs Caps – Flat



### DIMENSIONS

All dimensions in mm

Dimensions				Wall-thickness	Standard Pack	Reference No.
D	H	Metric	UNF			
1.78	25.40			1.52	1.000	EPS 575 / 0070-1000
2.54	25.40	M 3		1.52	1.000	EPS 575 / 0100-1000
2.54	28.45	M 3		1.52	1.000	EPS 575 / 0100-1120
3.05	10.16			1.52	1.000	EPS 575 / 0120-0400
3.05	25.40			1.52	1.000	EPS 575 / 0120-1000
3.68	28.45			1.52	1.000	EPS 575 / 0145-1120
3.76	25.40	M 4		1.52	1.000	EPS 575 / 0148-1000
4.37	20.32	M 5		1.52	1.000	EPS 575 / 0172-0800
4.45	25.40			1.52	1.000	EPS 575 / 0175-1000
4.70	28.45			1.52	1.000	EPS 575 / 0185-1120
5.59	28.45			1.52	1.000	EPS 575 / 0220-1120
5.59	41.91			1.52	1.000	EPS 575 / 0220-1650
5.66	38.10	M 6		1.52	1.000	EPS 575 / 0223-1500
5.94	38.10		1/4"	1.52	1.000	EPS 575 / 0234-1500
7.49	6.35	M 8	5/16"	1.52	1.000	EPS 575 / 0295-0250
7.49	38.10	M 8	5/16"	1.52	500	EPS 575 / 0295-1500
7.62	28.45			1.52	500	EPS 575 / 0300-1120
7.62	41.91			1.52	500	EPS 575 / 0300-1650
9.02	38.10			1.52	500	EPS 575 / 0355-1500
9.53	28.45	M 10		1.52	500	EPS 575 / 0375-1120
9.53	38.10	M 10		1.52	500	EPS 575 / 0375-1500
9.98	18.49			1.52	500	EPS 575 / 0393-0728
10.54	38.10			1.52	500	EPS 575 / 0415-1500
11.10	25.40			1.52	500	EPS 575 / 0437-1000
11.18	18.49			1.52	500	EPS 575 / 0440-0728
11.58	28.45	M 12		1.52	500	EPS 575 / 0456-1120
11.58	38.10	M 12		1.52	500	EPS 575 / 0456-1500
12.19	38.10		1/2"	1.52	500	EPS 575 / 0480-1500
13.59	38.10	M 14		1.52	500	EPS 575 / 0535-1500
14.27	38.10	M 16		1.52	500	EPS 575 / 0562-1500
14.99	17.98			1.52	500	EPS 575 / 0590-0708
15.24	38.10			1.52	250	EPS 575 / 0600-1500
16.26	22.86			1.52	250	EPS 575 / 0640-0900
16.26	50.80			1.52	250	EPS 575 / 0640-2000
16.89	18.59			1.52	250	EPS 575 / 0665-0732
17.45	8.38	M 18		1.52	250	EPS 575 / 0687-0330
18.34	115.70			1.52	100	EPS 575 / 0722-4555
18.49	11.48		3/4"	1.52	250	EPS 575 / 0728-0452
18.54	38.10		3/4"	1.52	250	EPS 575 / 0730-1500
18.54	101.60		3/4"	1.52	100	EPS 575 / 0730-4000
18.69	18.49	M 20		1.52	250	EPS 575 / 0736-0728
20.60	18.49	M 22	7/8"	1.52	250	EPS 575 / 0811-0728
21.72	38.10			1.52	250	EPS 575 / 0855-1500
23.39	18.49			1.52	250	EPS 575 / 0921-0728
24.64	101.60	M 25	1"	1.52	100	EPS 575 / 0970-4000
24.89	38.10			1.52	250	EPS 575 / 0980-1500
25.40	16.51	M 27		1.52	250	EPS 575 / 1000-0650
30.99	17.02			1.52	250	EPS 575 / 1220-0670
32.79	22.99			1.52	100	EPS 575 / 1291-0905
39.50	27.99			1.52	100	EPS 575 / 1555-1102
40.01	17.02			1.52	100	EPS 575 / 1575-0670
41.88	27.99			1.52	100	EPS 575 / 1649-1102
45.01	17.02			1.52	100	EPS 575 / 1772-0670
46.99	27.99			1.52	100	EPS 575 / 1850-1102
49.71	38.48			1.52	100	EPS 575 / 1957-1515
57.10	25.98			1.52	100	EPS 575 / 2248-1023
73.28	25.40			1.52	50	EPS 575 / 2885-1000

Should your requirements not be shown please ask for a separate quotation.  
 PROTEC products and specifications are subject to improvement and change without notice.